



SPIERINGS
MOBILE CRANES

Make: SPIERINGS

Type: SK498-AT4

Crane specification

Serial Number **498xxx**
Year of Construction **2009**

Crane group : 3 as per NEN 2018
Loadspectrum : 2 as per NEN 2018
Classification : A as per NEN 2018
Stability : as per NEN 2022

Max. load	Max. radius with max. load	Max. capacity	Max. jib length
8,0 tonne	12,85 m	103 tm	44 m

Speed Jib horizontal / jib 30° luffed

m/min	kg	Diagram	Notes
18	8000		0 - 70 m/min
27	4000		0-0,9 rpm
40	2000		
60	0		

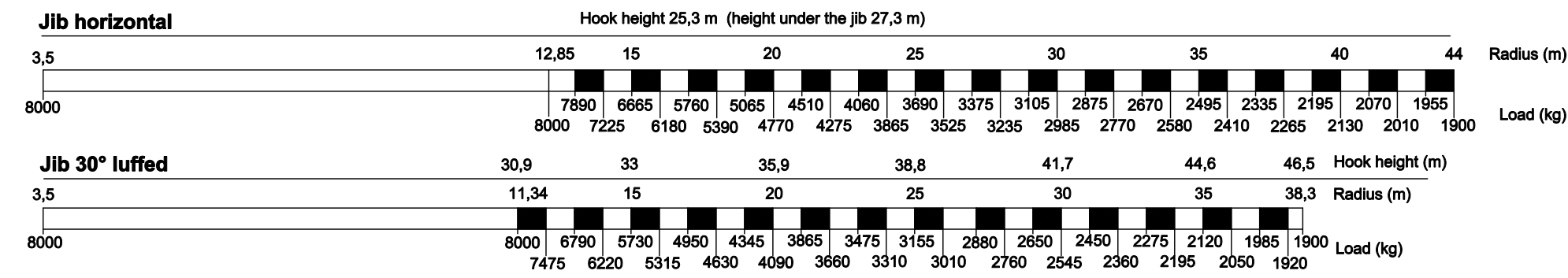
All motions with hydraulic proportional controls.
Luffing the jib 30° can be controlled from crane cab or by remote control.
The crane should be folded in at wind force 9 (Bf) (21 m/sec) or when not in use for a longer period.

Counterweight crane: 9500 kg.
Continues slewing (360°) with outriggers out and support pads down.
Crane can be driven in its erected position under special conditions (refer user guide).

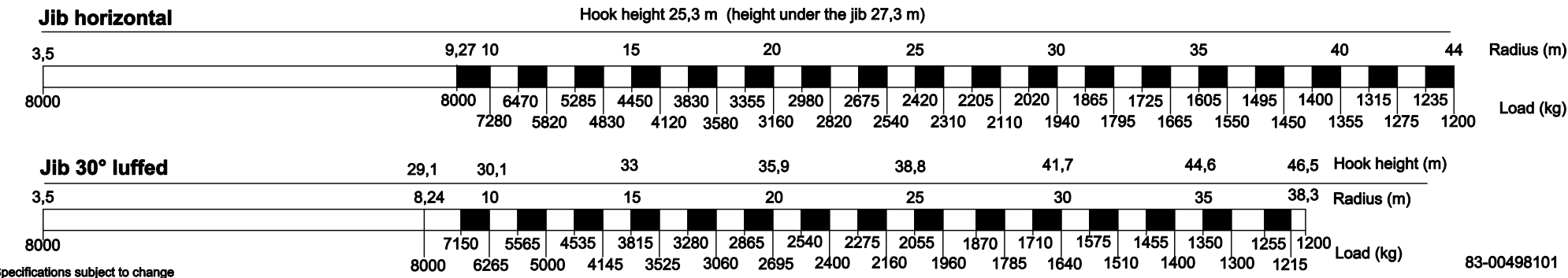
Rated lift capacity is net capacity. Always two parts of line.
Max. line pull force: 4000 kg.
Operating temperature range from: -15°C till + 40°C.
Sail area of the load max.: 1,0 m²/ ton.

Outrigger positioned according to lifting chart
Outrigger support base : **6,925 m x 6,85 m**.
Operation allowed up to wind force 8 Bf (17 m/sec).
Outrigger support base : **6,925 m x 5,15 m**.
Operation allowed up to wind force 8 Bf (17 m/sec).
Max. outrigger force: 360 kN.

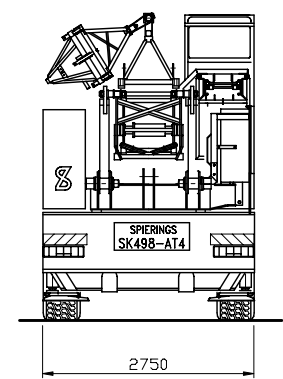
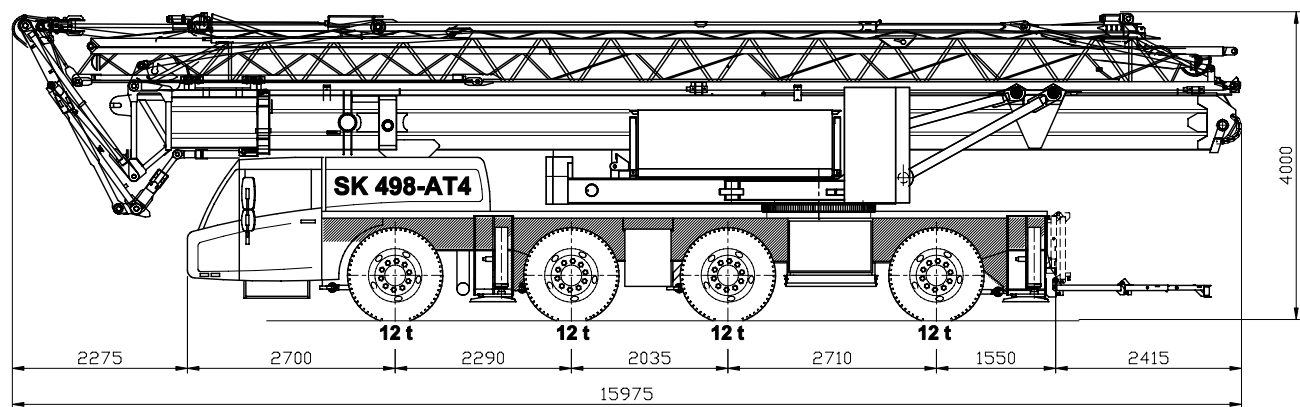
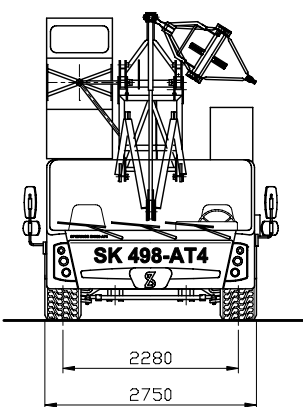
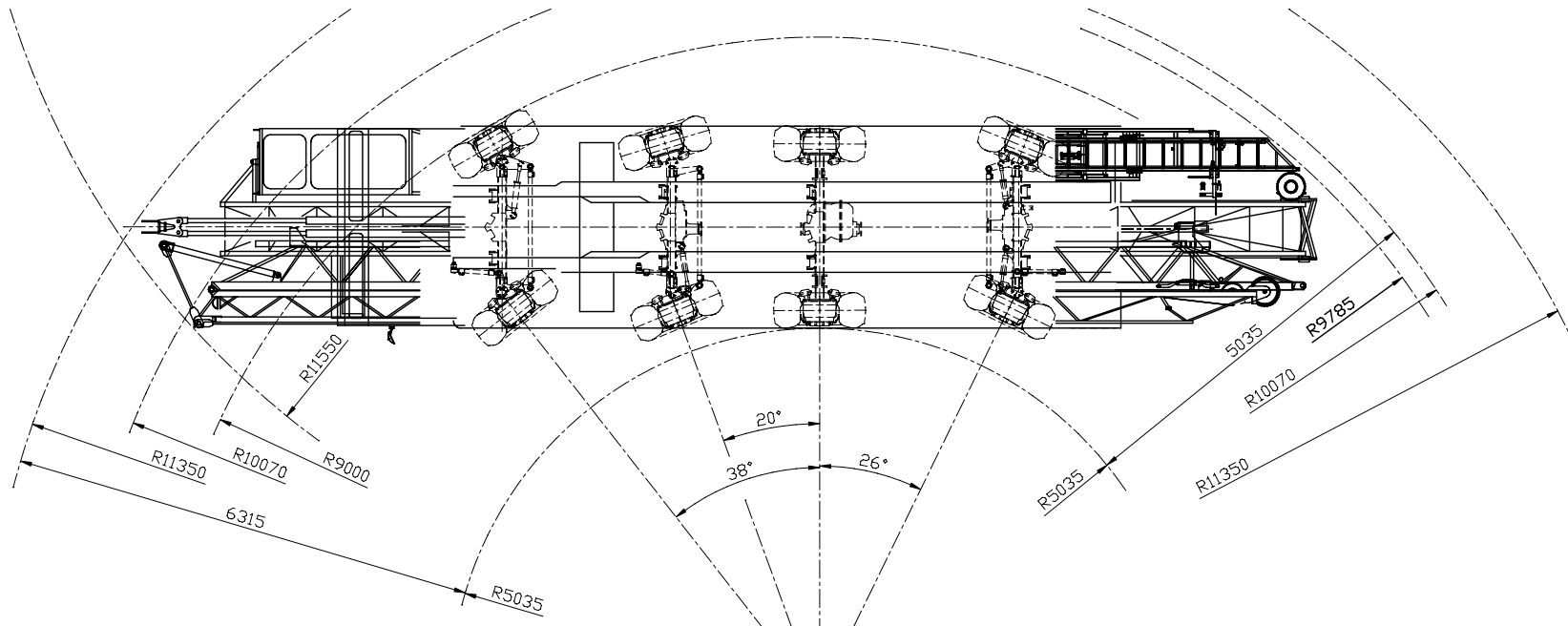
LIFTING CHART outrigger support base 6,925 m x 6,85 m up to wind force 8 on the Beaufort scale (17 m/sec)



LIFTING CHART outrigger support base 6,925 m x 5,15 m up to wind force 8 on the Beaufort scale (17 m/sec)



Specifications subject to change



SPIERINGS HYDRAULIC FOLDING CRANE

SK 498 - AT4



Merwedestraat 15
 5347 KZ Oss NL
 Tel. +31 (0)412-626964
 Fax +31 (0)412-645299
www.spieringscranes.com

Overall weight: 48000 kg

Specifications subject to change

83-00498102

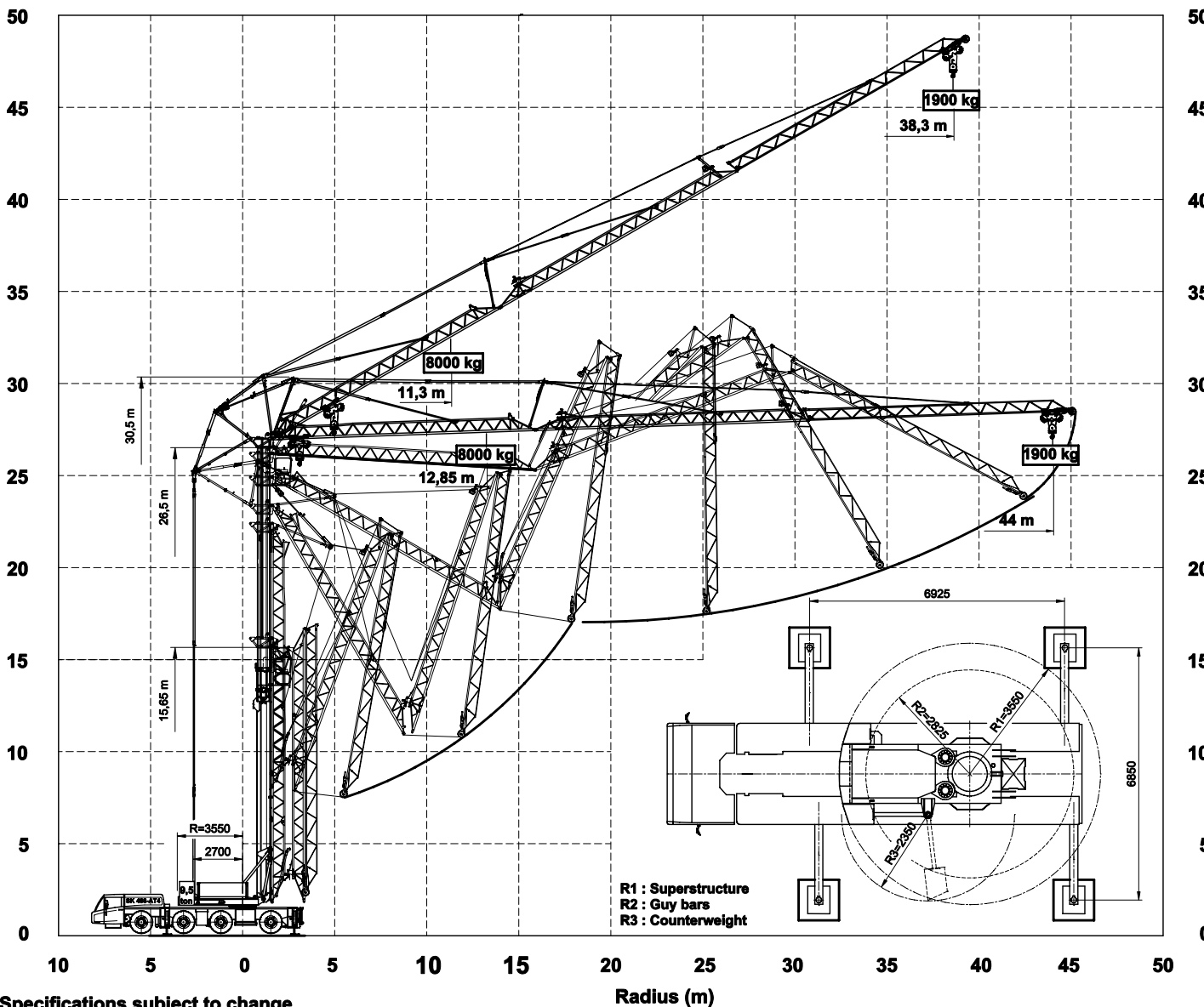
SPIERINGS HYDRAULIC FOLDING CRANE SK498-AT4

498xxx

Erection procedure of the crane

Max. outrigger force : 360 kN
 Outrigger support pads : 750x600 mm
 Ground pressure : 0,80 N/mm²
 Jib can be unfolded through 360°
 Luffing the Jib 30° can be controlled from
 the crane cab or remote control

Outrigger support plates : 1100x1100 mm
 surface : 1,21 m²
 Ground pressure : 0,30 N/mm²



R1 : Superstructure
 R2 : Guy bars
 R3 : Counterweight

Specifications subject to change



Merwedestraat 15
 5347 KZ Oss NL
 Tel. +31 (0)412-626964
 Fax +31 (0)412-645299
www.spieringscranes.com

83-00498103

SPIERINGS

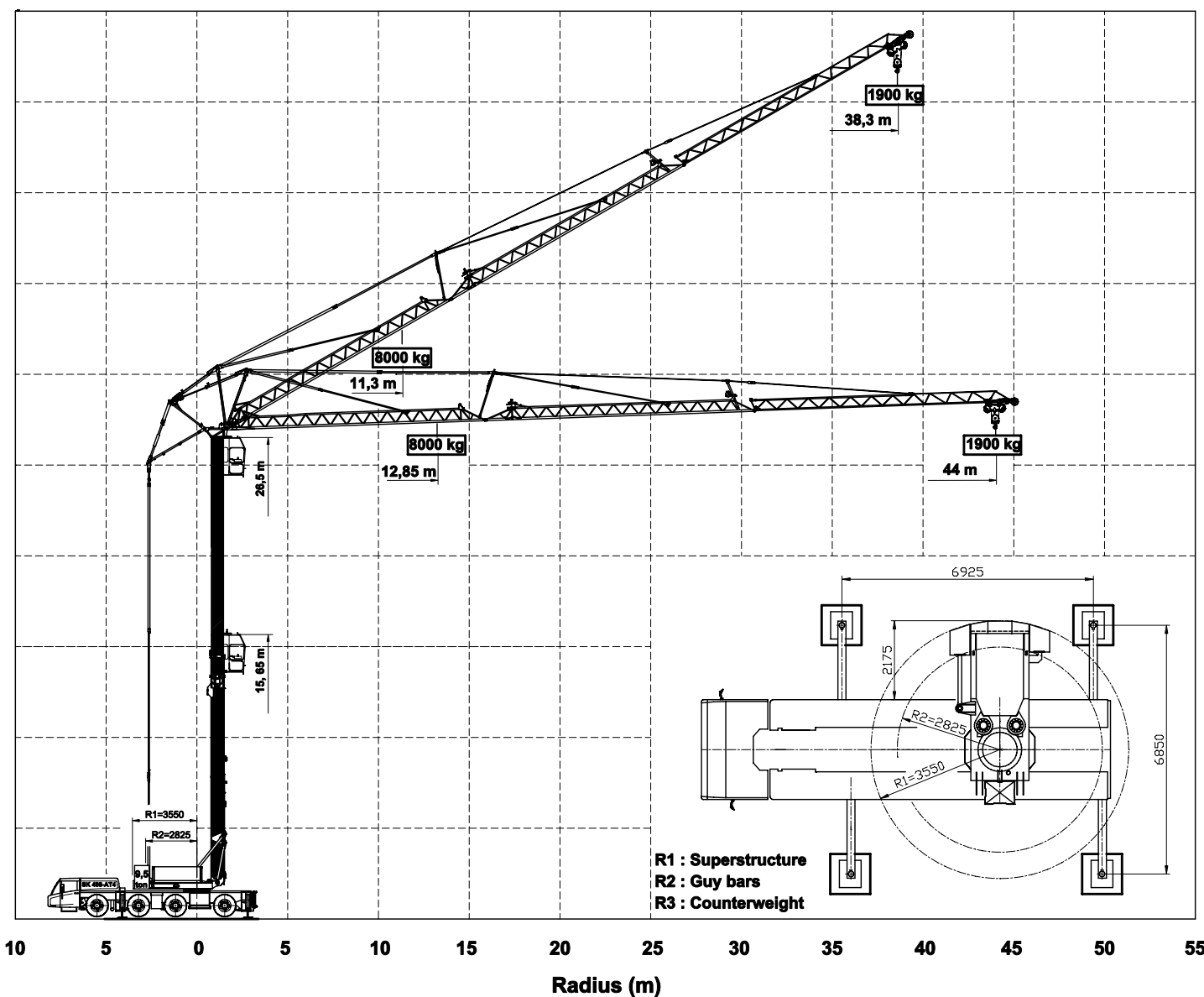
HYDRAULIC FOLDING CRANE

SK 498 - AT4

498xxx

Hoisting Specifications
Outrigger support base
6,925 m x 6,85 m

Hook height (m)



SPIERINGS
MOBILE CRANES
 Merwedestraat 15
 5347 KZ Oss NL
 Tel. +31 (0)412-626964
 Fax +31 (0)412-645299
www.spieringscranes.com

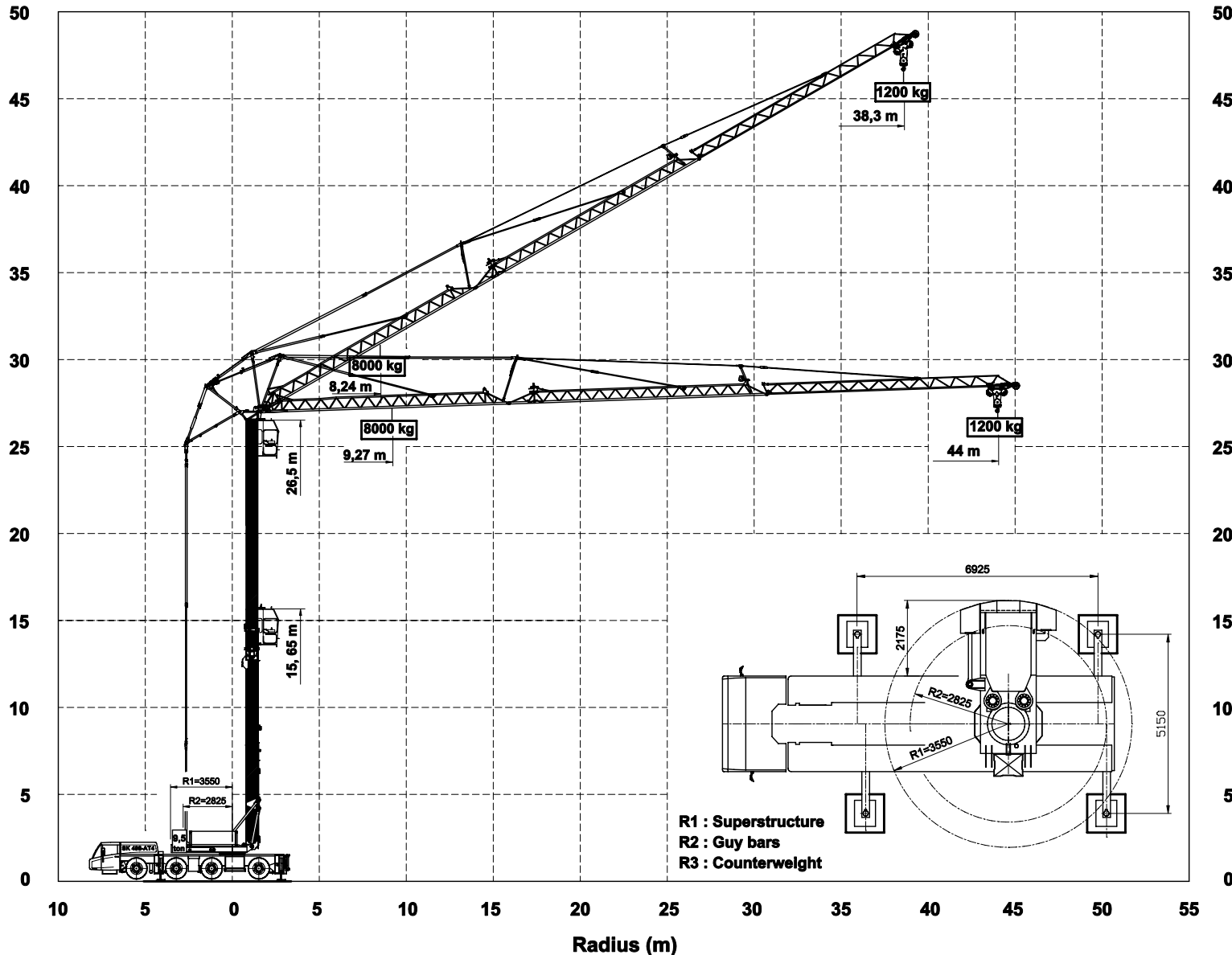
83-00498104

Specifications subject to change

SPIERINGS
HYDRAULIC FOLDING CRANE
SK 498 - AT4

498xxx

Hoisting Specifications
Outrigger support base
6,925 m x 5,15 m

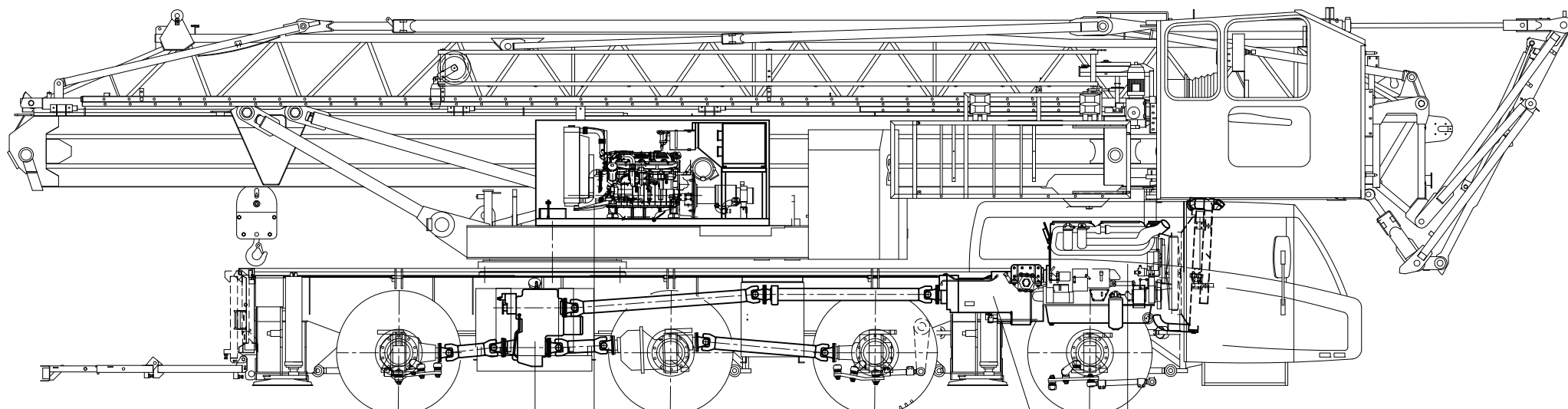


R1 : Superstructure
R2 : Guy bars
R3 : Counterweight

SPIERINGS
MOBILE CRANES

Merwedestraat 15
 5347 KZ Oss NL
 Tel. +31 (0)412-626964
 Fax +31 (0)412-645299
 www.spieringscranes.com

83-00498105



Axle 4

Transferbox	
STEYR VG2001/396	
Road gear	i=0,89
Off road gear	i=1,54

<p style="text-align: center;">Axle 3</p> <p>Superstructure:</p> <p>John Deere: 4045HF285-T3</p> <p>Power: 104 kW (2400 rpm)</p> <p>Torque: 387 Nm (1500 rpm)</p>	<p style="text-align: center;">Axle 2</p> <p>Gearbox:</p> <p>ZF 12AS2300</p> <p>Automatic</p> <p>+ Intarder</p>
---	---

<p style="text-align: center;">Axle 1</p> <p>Carrier Diesel Engine :</p> <p>Euro IV</p> <p>DAF: MX 300 (12,9 ltr)</p> <p>Power: 300 kW (1900 rpm)</p> <p>Torque: 2050 Nm (1500 rpm)</p>

Axle 1 :Steer axle

Axle 2 :Steer axle, driven (end reduction i=7,29)

Axle 3 :Driven (end reduction i=7,29)

Axle 4 :Steer axle, driven (end reduction i=7,29)

Tyres	: 445/75 R22,5
Suspension: hydro-pneumatic on all axles, stroke cyl.	: 247 mm
Max. speed carrier	: 82 km/h
Min. speed carrier (diesel engine 1000 rpm)	: 1,6 km/h
Overall weight	: 48.000 kg.

DRIVE TRAIN SPIERINGS FOLDING CRANE

SK498-AT4



Merwedestraat 15
5347 KZ Oss NL
Tel. +31 (0)412-626964
Fax +31 (0)412-645299
www.spieringscranes.com

83-00498106A

SPIERINGS

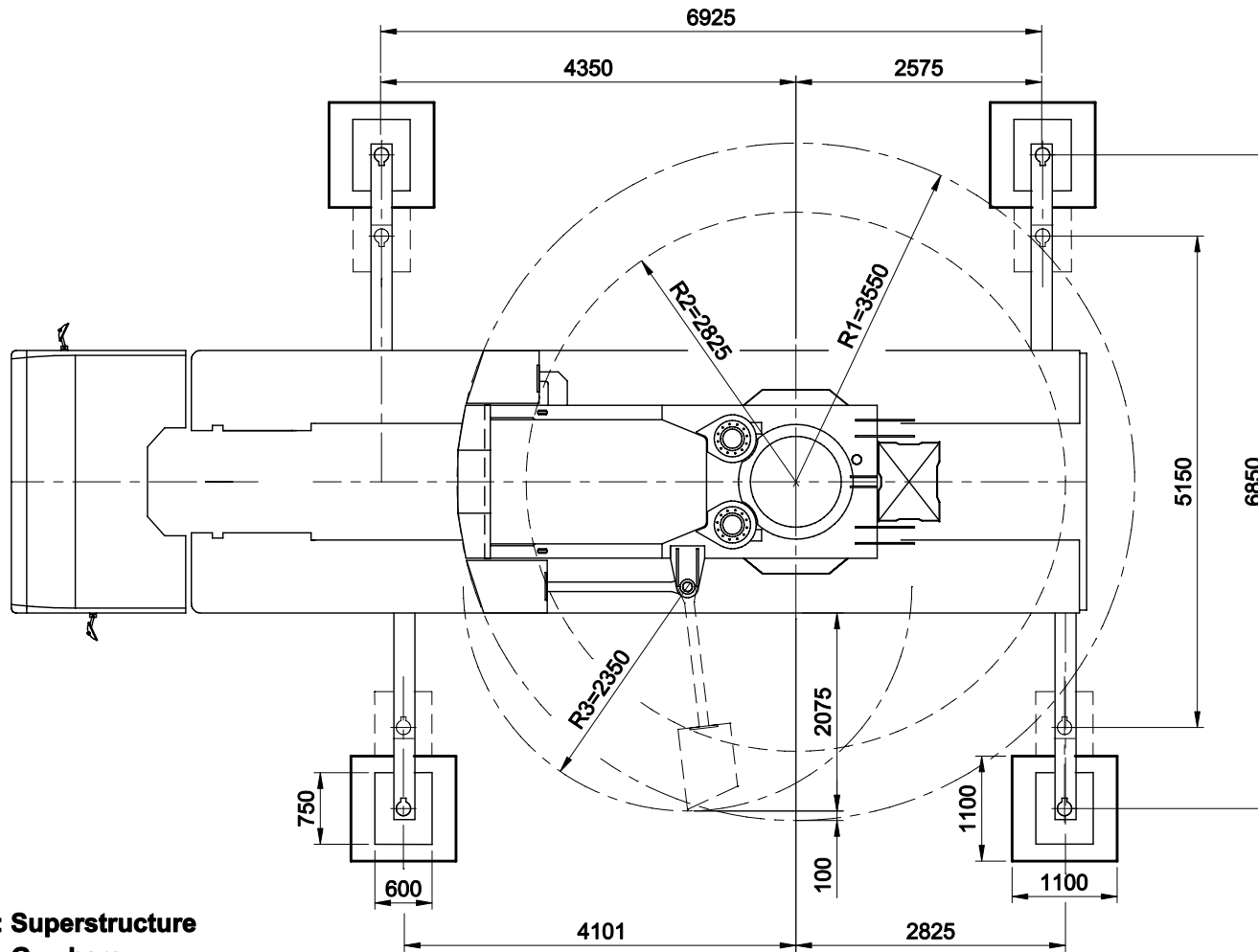
HYDRAULIC FOLDING CRANE

SK 498 - AT4

498xxx

Overzicht afstempeling

Max. outrigger force	360 kN
Outrigger support pads	750x600 mm
Ground pressure	0,80 N/mm ²
Outrigger support plates	1100x1100 mm
Surface	1,21 m ²
Ground pressure	0,30 N/mm ²



R1 : Superstructure
R2 : Guy bars
R3 : Counterweight

SPIERINGS
MOBILE CRANES

Merwedestraat 15
 5347 KZ Oss NL
 Tel. +31 (0)412-626964
 Fax +31 (0)412-645299
www.spieringscranes.com

83-00498107